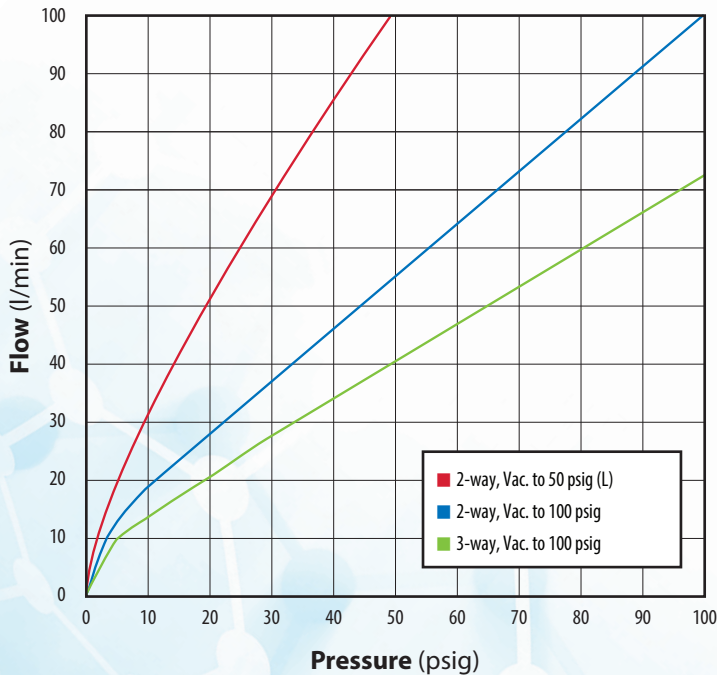


DV SERIES ELECTRONIC VALVES



Clippard electronic valves are precision-built control valves utilizing Clippard's patented valving principle. The powerful DV Series was designed as the next generation of the well-known and trusted original EV line of Clippard spider valves. With a cycle life of over a billion, a solid, compact design, and extremely high flow rates, these valves are suitable for many applications across numerous diverse industries. A variety of voltage, connector and mounting options are available.

TYPICAL FLOW



Coil Resistance	76 (12V), 304 (24V)
Connection	Spade terminals or wire leads
Cycle Life	Over 1 billion
Filtration (recommended)	40 micron
Function	2-way or 3-way normally-closed or normally-open; 3-way fully ported
Material, Body	Stainless steel
Material, Seals	Nitrile standard; FKM, EPDM and silicone available
Material, Spring	Stainless steel
Material, Wetted	Polyetherimide, stainless steel, PPS
Max. Flow	100 l/min @ 50 or 100 psig (3.4 or 7 bar), 70 l/min @ 100 psig (7 bar)
Max. psig	100 (6.9 bar)
Medium	Compatible fluids
Mount	In-line, manifold, or cartridge (<i>inserts into 3/4" bore</i>)
Number of Ports	2 or 3
Operating Pressure	28" (71 cm) Hg vac. to 50 or 100 psig (3.4 or 7 bar)
Operating Temp. Range	32 to 130°F (0 to 54°C)
Orifice	0.044", 0.052", 0.070" (1.1, 1.3, 1.8 mm)
Port, Exhaust	3-Way: #10-32 or M5
Port, Inlet	Manifold: #10-32 male or M5 Inline: 1/8" NPT or BSPT female
Port, Outlet	Manifold: No thread Inline: 1/8" NPT or BSPT female
Response Time	10 to 15 ms
Voltage	12 or 24 VDC
Voltage Operating Range	95 to 125%
Wattage	1.9 watts
More Details	clippard.com/link/dv-series

¹Minimum order quantity required

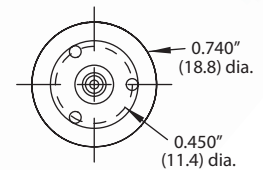
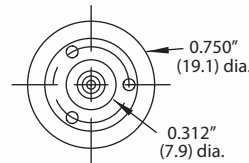
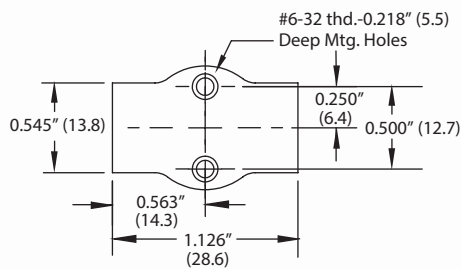
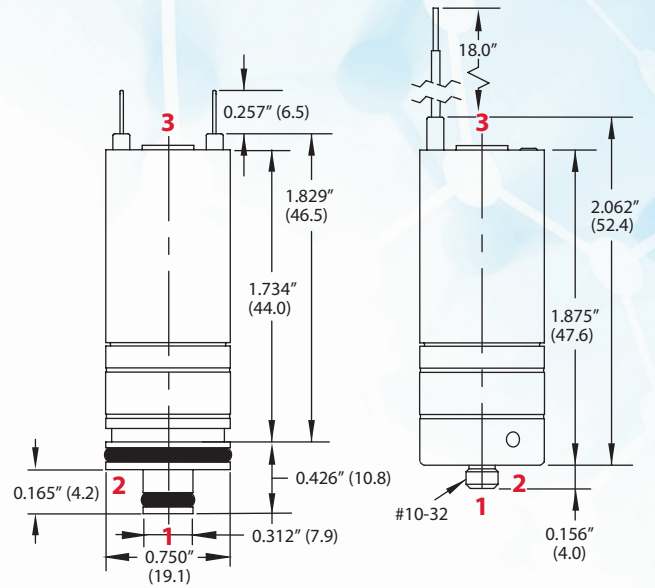
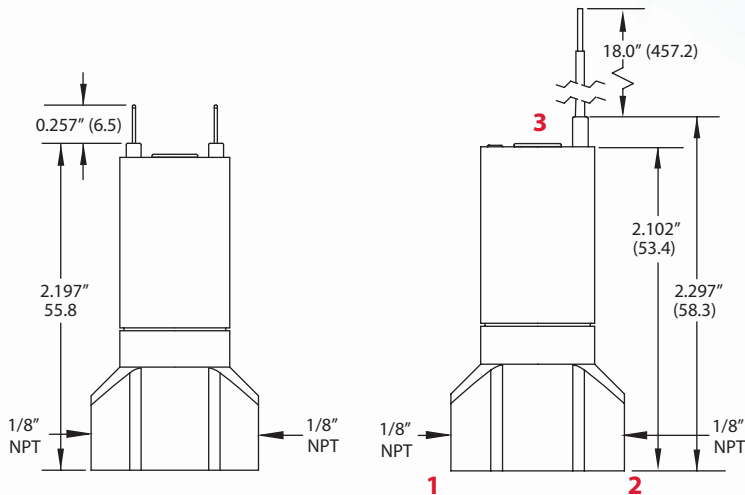
Does your application have requirements beyond what is listed? Contact Clippard to discuss how this valve can be modified to meet your specific needs.

**Spade Terminals
In-Line Manifold**

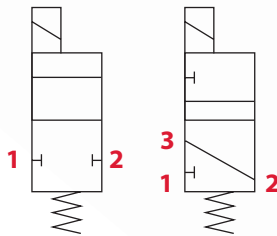
**Wire Leads
In-Line Manifold**

**Spade Terminals
Cartridge Style**

**Wire Leads
Manifold Mount**



Dimensions shown are in inches. Visit clippard.com for more detailed 2D and 3D drawings.



- Large flows in small, sleek package
- Low heat rise, low power
- Robust stainless steel "spider" armature spring

ORDERING INFORMATION

<p>Units</p> <p>(blank) Imperial M- Metric</p>	<p>Connection</p> <p>T Spade Terminals V Wire Leads</p>	<p>Function</p> <p>2 2-way 3 3-way</p>	<p>Mount</p> <p>(blank) In-Line M Manifold C Cartridge</p>	<p>Voltage</p> <p>12 12 VDC 24 24 VDC</p>	<p>Pressure</p> <p>(blank) Vac. to 100 psig (7 bar) -L Vac. to 50 psig (3.4 bar), 2-way only</p>	<p>Seals</p> <p>(blank) Nitrile -V FKM -E EPDM</p>
---	--	---	---	--	---	---

Example Part Number:
DT-2-12

For more info, scan the QR code or visit clippard.com/link/dv-series

